



Compressor
Voltage Code : FZ

FH2480Z

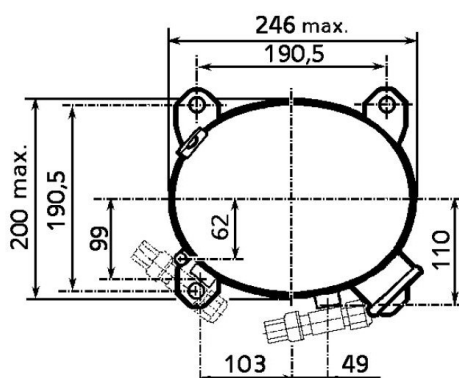
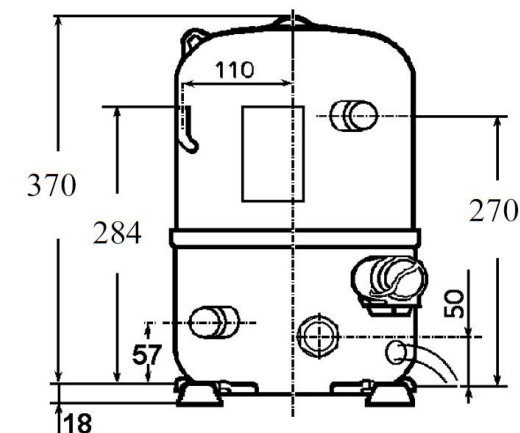
Low Temp. Commercial (BP)

220 - 240V 1~ 50 Hz

R452A / R404A / R448A / R449A

AHC2466ZFZ

Conditions	Frequency	Nominal Cooling Capacity		Sound Power ISO3745 / ISO 3743-1
		Watts	BTU/h	
EN12900 / R452A	50 Hz	1036	3534	71 dBA
EN12900 / R404A	50 Hz	1123	3830	71 dBA
EN12900 / R448A	50 Hz	874	2981	71 dBA
EN12900 / R449A	50 Hz	874	2981	71 dBA



* EN12900 : T°Cond. 40.0°C / T°Evap. -35.0°C / T°Return gas temp.. 20.0°C
T°Subcooling. 0.0K

Certificates :



Displacement (cc)	53.2
Net Weight (Kg)	37.0
Oil Quantity (cc)	1330.0
Oil Type	Polyolester
Expansion Device	Capillary_Tube/Expansion_Valve
Cooling	Fan
Main Winding (Ohm)	0.95
Start Winding (Ohm)	4.4
Current	
RLA (A)	7.2
MCC (A)	16
LRA (A)	68
Electrical Equipment	CSR
Overload	Interne
Start Capacitor	156 µF / 330 V
Run Capacitor	25 µF / 400 V
Potential Relay	RVA4Q**
Pick Up	318/347V
Drop Out	60/121V
Optional	3ARR3*6AE*
Refrigerating connection for OD	
Suction Tube	15.9 (5/8")
Discharge Tube	12.7 (1/2")
Process Tube	6.35 (1/4")


Note : Tecumseh reserves the right to change information contained in this document without notification.




Tecumseh

FH2480Z	Tension FZ : 220 - 240V 1~ 50 Hz
----------------	---

Les performances sont données dans les conditions EN12900 :	Gaz aspirés :	20.0 °C
Condition Dew	Sous refroidissement :	0.0 K
The performance data are in EN12900 conditions :	Return gas :	20.0 °C
Dew Condition	Subcooling :	0.0 K

50 Hz R452A									
 N°1111									
4 T condensation	5 T évaporation	(°C)	-40	-35	-30	-25	-20	-15	-10
30	1 P frigorifique	(Watt)	941	1370	1880	2479	3181	3996	4935
	2 P absorbée	(W)	991	1167	1347	1533	1725	1927	2140
	3 I absorbée	(A)	4.55	5.28	6.05	6.86	7.70	8.59	9.52
40	1 P frigorifique	(Watt)	636	1036	1502	2044	2673	3401	4239
	2 P absorbée	(W)	923	1133	1347	1568	1797	2037	2289
	3 I absorbée	(A)	4.04	4.98	5.94	6.94	7.97	9.04	10.1
50	1 P frigorifique	(Watt)		680	1091	1564	2109	2739	3465
	2 P absorbée	(W)		1056	1303	1558	1823	2099	2390
	3 I absorbée	(A)		4.49	5.65	6.83	8.04	9.29	10.6
60	1 P frigorifique	(Watt)				1069	1521	2042	2644
	2 P absorbée	(W)				1507	1806	2118	2445
	3 I absorbée	(A)				6.53	7.92	9.34	10.8

50 Hz R404A									
 N°126GT-F									
4 T condensation	5 T évaporation	(°C)	-40	-35	-30	-25	-20	-15	-10
30	1 P frigorifique	(Watt)	1028	1487	2024	2648	3369	4196	5138
	2 P absorbée	(W)	1031	1223	1416	1611	1810	2014	2223
	3 I absorbée	(A)	4.87	5.67	6.50	7.34	8.21	9.11	10.0
40	1 P frigorifique	(Watt)	698	1123	1610	2167	2805	3532	4357
	2 P absorbée	(W)	976	1197	1422	1652	1887	2130	2382
	3 I absorbée	(A)	4.40	5.39	6.41	7.44	8.50	9.59	10.7
50	1 P frigorifique	(Watt)		738	1167	1651	2199	2819	3521
	2 P absorbée	(W)		1128	1384	1648	1920	2202	2495
	3 I absorbée	(A)		4.93	6.13	7.36	8.61	9.88	11.2
60	1 P frigorifique	(Watt)			716	1120	1570	2077	2649
	2 P absorbée	(W)			1307	1604	1913	2233	2568
	3 I absorbée	(A)			5.66	7.08	8.52	9.98	11.5

1 = cooling capacity 2 = power input 3 = current 4 = condensing temperature 5 = evaporating temperature

Nota : Tecumseh se réserve le droit de modifier les informations contenues dans ce document sans préavis.

Note : Tecumseh reserves the right to change information contained in this document without notification.

© 2020 Tecumseh Products Company
All rights reserved



Tecumseh

FH2480Z	Tension FZ : 220 - 240V 1~ 50 Hz
----------------	---

Les performances sont données dans les conditions EN12900 :	Gaz aspirés :	20.0 °C
Condition Dew	Sous refroidissement :	0.0 K
The performance data are in EN12900 conditions :	Return gas :	20.0 °C
Dew Condition	Subcooling :	0.0 K

© 2020 Tecumseh Products Company
All rights reserved

50 Hz R448A (*)

N°2761

4 T condensation	5 T évaporation	(°C)	-35	-30	-25	-20	-15	-10
30	1 P frigorifique	(Watt)	1159	1657	2255	2962	3789	4746
	2 P absorbée	(W)	1057	1235	1417	1605	1800	2005
	3 I absorbée	(A)	4.90	5.67	6.46	7.28	8.14	9.04
40	1 P frigorifique	(Watt)	874	1324	1861	2495	3236	4094
	2 P absorbée	(W)	1038	1247	1459	1677	1903	2139
	3 I absorbée	(A)	4.68	5.62	6.58	7.56	8.56	9.60
50	1 P frigorifique	(Watt)	578	977	1451	2009	2662	3420
	2 P absorbée	(W)	975	1216	1462	1714	1974	2245
	3 I absorbée	(A)	4.26	5.39	6.53	7.68	8.85	10.1
60	1 P frigorifique	(Watt)			1051	1532	2095	2750
	2 P absorbée	(W)			1423	1712	2010	2319
	3 I absorbée	(A)			6.28	7.62	8.98	10.4

50 Hz R449A (*)

N°2020

4 T condensation	5 T évaporation	(°C)	-35	-30	-25	-20	-15	-10
30	1 P frigorifique	(Watt)	1159	1657	2255	2962	3789	4746
	2 P absorbée	(W)	1057	1235	1417	1605	1800	2005
	3 I absorbée	(A)	4.90	5.67	6.46	7.28	8.14	9.04
40	1 P frigorifique	(Watt)	874	1324	1861	2495	3236	4094
	2 P absorbée	(W)	1038	1247	1459	1677	1903	2139
	3 I absorbée	(A)	4.68	5.62	6.58	7.56	8.56	9.60
50	1 P frigorifique	(Watt)	578	977	1451	2009	2662	3420
	2 P absorbée	(W)	975	1216	1462	1714	1974	2245
	3 I absorbée	(A)	4.26	5.39	6.53	7.68	8.85	10.1
60	1 P frigorifique	(Watt)			1051	1532	2095	2750
	2 P absorbée	(W)			1423	1712	2010	2319
	3 I absorbée	(A)			6.28	7.62	8.98	10.4

1 = cooling capacity 2 = power input 3 = current 4 = condensing temperature 5 = evaporating temperature

(*) Veuillez vous référer strictement aux Recommandations d'Utilisation et Bulletins Marketing Tecumseh du fait de la température de refoulement élevée pour les applications LBP.

(*) Due to very high discharge temperature especially on LBP conditions, please strictly refer to Tecumseh Guidelines & Marketing Bulletin when using this refrigerant.

Nota : Tecumseh se réserve le droit de modifier les informations contenues dans ce document sans préavis.

Note : Tecumseh reserves the right to change information contained in this document without notification.